

# STEEL-LINE

## HIGH WIND WARNING



### Steel-Line Windlok by Creeks Secures and Protects Roller Doors Even in Cyclonic Conditions

#### Unique design, greater strength

Great strength and rigidity are qualities of the unique design of the Steel-Line Windlok System for Roller Doors used in high wind locations.

The patented system, developed by Creeks Metal Industries, incorporates a moulded lug secured to the door curtain, which interlocks with the matching shaped side-track. The design ensures smooth operation with exceptional wind load characteristics.

#### Independently Tested and Certified

Investigation and calculations for 'Ultimate Limit State Design' conducted by Technisearch Ltd., of Melbourne, Australia, showed the Steel-Line Windlok System, by Creeks, complied with Australian Standard AS1170.2-1989, Section 3, for Category C regions with wind speeds to 70 metres/second, subject to proper fixing of the bracket to an approved supporting structure.

#### Added Security

The Steel-Line Windlok Roller Door Guide Channel System not only holds the door firmly in position to help prevent damage caused by high winds, but it also serves as an extra safe-guard against 'break-ins', because the curtain cannot be easily pushed in to allow unwanted entry.

#### Installation

A major advantage of the Steel-Line Windlok System by Creeks is that it is as simple to install as a standard Steel-Line Roller Door. Some allowance for extra curtain width is necessary, and provided the support structure is adequate the fixing is quick and easy, using the height adjustable bracket system.

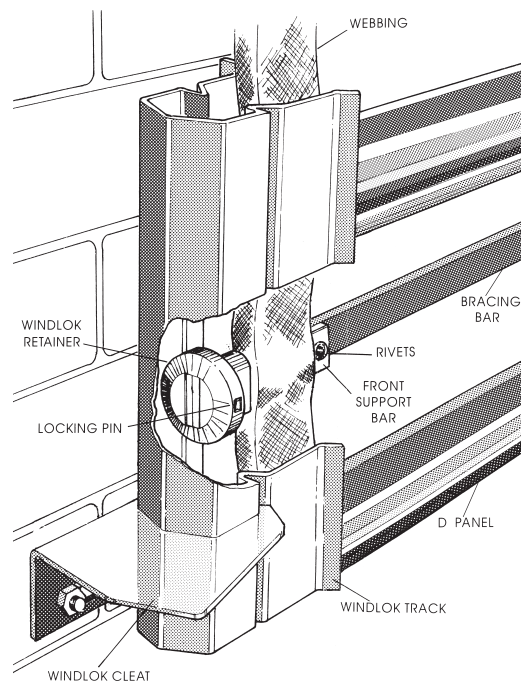
#### Economical and Versatile

The costs are minimal in comparison to the advantages gained when the Steel-Line Windlok System is included in a new installation.

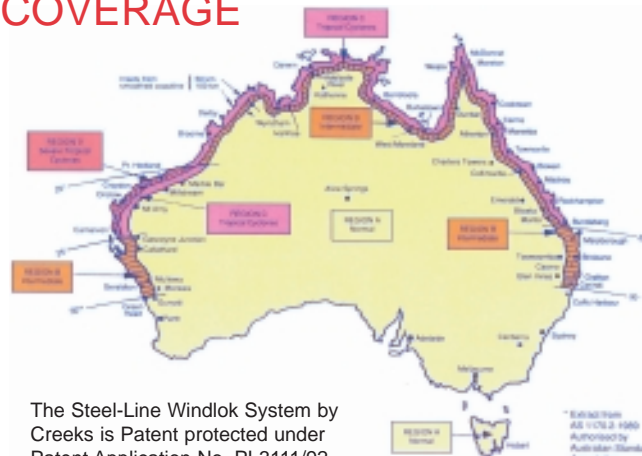
#### Helpful Advice

Whether you're considering installing a new Steel-Line Roller Door and are not sure what you need, or wish to make your existing Roller Door more secure, contact a Steel-Line Roller Door Distributor who will gladly advise on all aspects of the Steel-Line Windlok System by Creeks.

### UNIQUE PATENTED DESIGN



### TOTAL GEOGRAPHIC COVERAGE



The Steel-Line Windlok System by Creeks is Patent protected under Patent Application No. PL3111/92

SUIT: SERIES A - AA & B  
ROLLER DOORS

Windlok